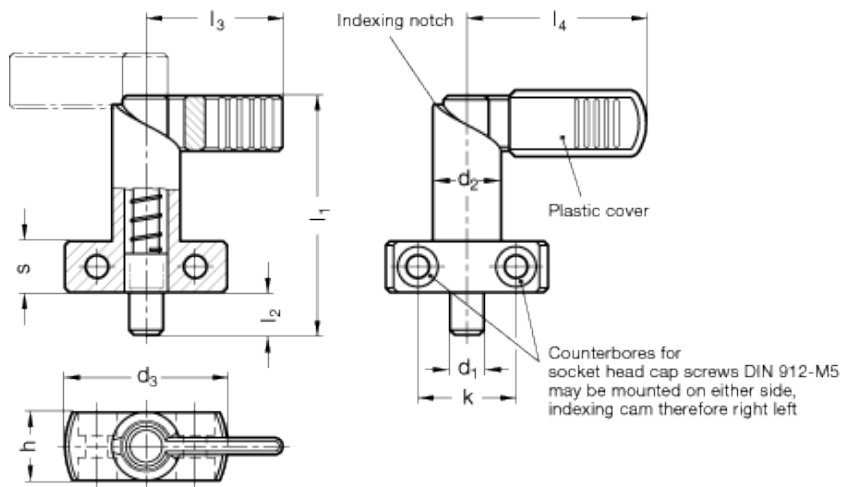


# GN 612.2

Cam action indexing plungers



## technical informations

### Material

Black oxide steel

### Plunger

Nitrided steel. Suggested matching hole in H7 tolerance.

### Plastic cover

Polyamide based technopolymer (PA), black colour, matte finish.

### Standard versions available

- Version A: without plastic cover.
- Version B: with plastic cover.

### Features and applications

Cam action indexing plungers GN 612.2 are used in cases where the locking pin must not protrude all the time. By rotating the lock through 180° the locking pin withdraws itself.

A notch is provided in either position to prevent the lock from rotating.

Standard Elements	Main dimensions											Spring pressure		Weight
Description	d <sub>1</sub> 0/-0.05	d <sub>2</sub>	d <sub>3</sub>	h	k	l <sub>1</sub>	l <sub>2</sub>	l <sub>3</sub>	l <sub>4</sub>	s	Preload in N ≈	Max. load in N ≈	g	
GN 612.2-6-16-A	6	16	35	16	20	56	10	32	42	12	12	32	82	
GN 612.2-8-16-A	8	16	35	16	20	56	10	32	42	12	12	32	84	
GN 612.2-8-20-A	8	20	40	20	22	69	12	37	52	15	21	58	167	
GN 612.2-10-16-A	10	16	35	16	20	56	10	32	42	12	12	32	86	
GN 612.2-10-20-A	10	20	40	20	22	69	12	37	52	15	21	58	169	
GN 612.2-12-20-A	12	20	40	20	22	69	12	37	52	15	21	58	170	
GN 612.2-6-16-B	6	16	35	16	20	56	10	32	42	12	12	32	85	
GN 612.2-8-16-B	8	16	35	16	20	56	10	32	42	12	12	32	86	
GN 612.2-8-20-B	8	20	40	20	22	69	12	37	52	15	21	58	170	
GN 612.2-10-16-B	10	16	35	16	20	56	10	32	42	12	12	32	90	
GN 612.2-10-20-B	10	20	40	20	22	69	12	37	52	15	21	58	173	
GN 612.2-12-20-B	12	20	40	20	22	69	12	37	52	15	21	58	180	



STANDARD MACHINE ELEMENTS WORLDWIDE